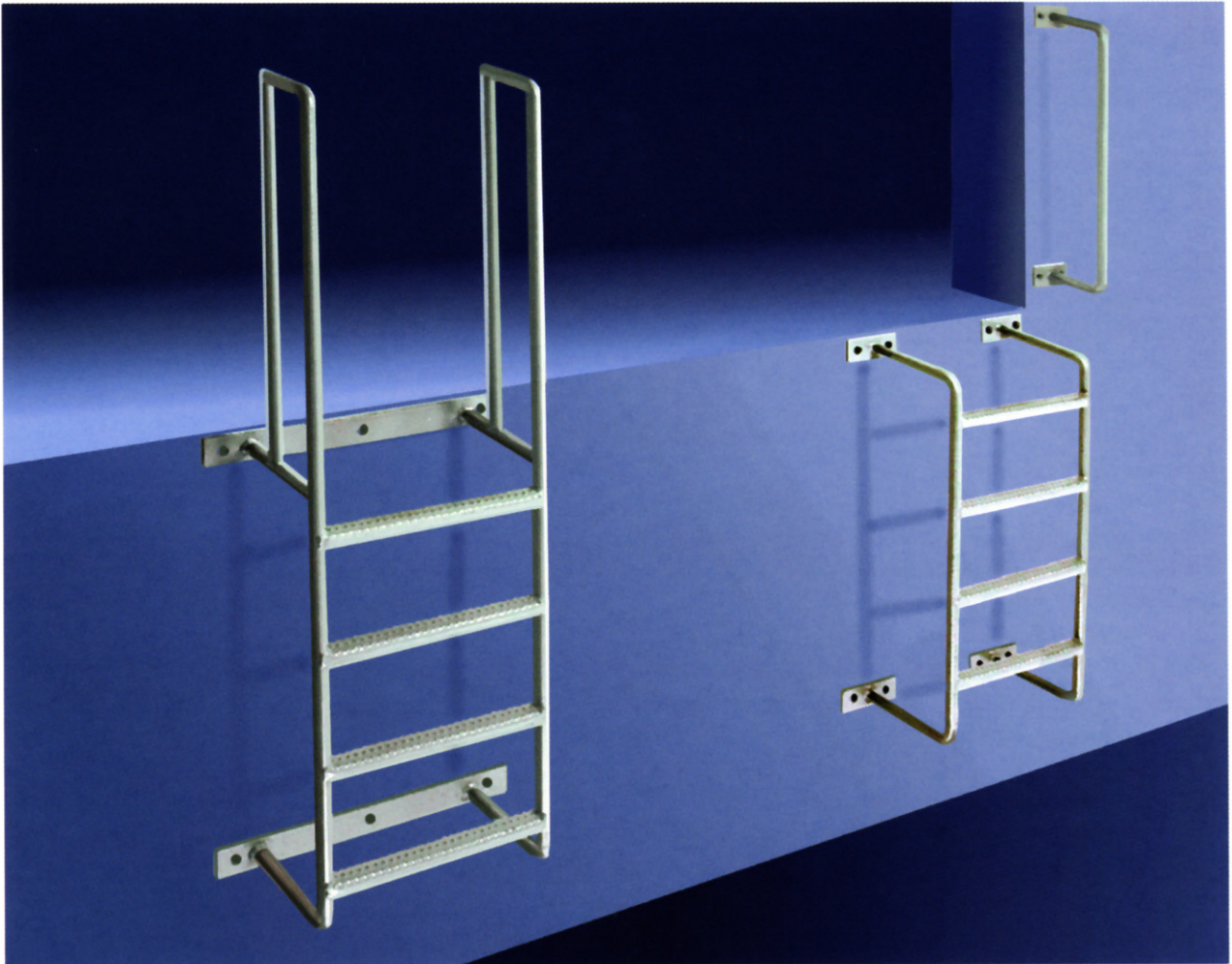


# DOCK LADDERS by

DL-96 and DL-80 models

**DLM**



TOP QUALITY, ALL  
STEEL, ALL WELDED  
CONSTRUCTION.  
GRATED RUNGS FOR  
BETTER GRIP.

VALUE-ENGINEERED  
DOCK LEVELERS & EQUIPMENT

# DOCK LADDERS by

All Steel, All Welded Construction For Long Life

# DLM

## SAFE AND SOUND

The DL-80 and DL-96 model dock ladders from DLM provide a secure, sturdy, and attractive entry/exit point for typical 48" docks. The DL-80 model comes as a two-piece kit with separate ladder and grab handle. The DL-96 is a "walk-thru" model with integrated grab handles.

Both are rugged, long lasting designs made with 1" diameter steel pipe. Rungs are made of grated steel channel for slip resistance. All joints are welded. The units are finished with high-quality gray paint.

## EASY INSTALLATION

Installation is easy on any structurally sound concrete or steel building.

Installation to solid concrete can be made using expansion-type anchors. If the dock edge is faced with anchored steel, then the ladder should also be welded to the wall where possible.

If the ladder or grab bar is to be mounted to concrete block or a pre-fab steel wall, adequate reinforcement plates (supplied by others) will be necessary to provide a secure mounting surface.

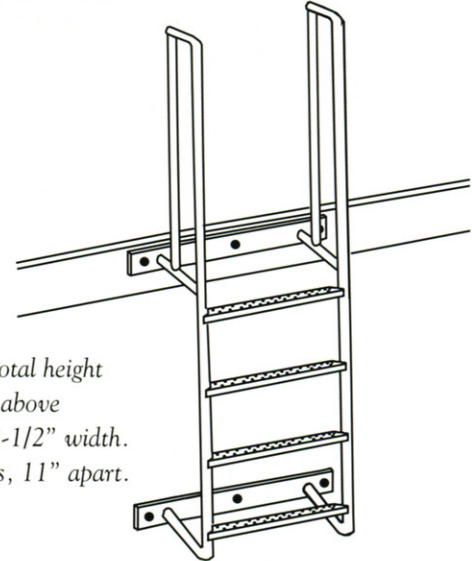
## DOCK LEVELERS BY DLM

Edge-of-dock, top-of-dock, and pit-mounted levelers...no matter which type of leveler you need, DLM offers you the best engineering, highest quality, and greatest value. We invented the edge of-dock leveler and the top-of-dock leveler, and have more in service than all other companies combined. We are the number one choice of America's leading freight handling professionals, the motor freight industry. Consult DLM for the dock leveler that's best for your application.

## WE ARE TOTAL QUALITY

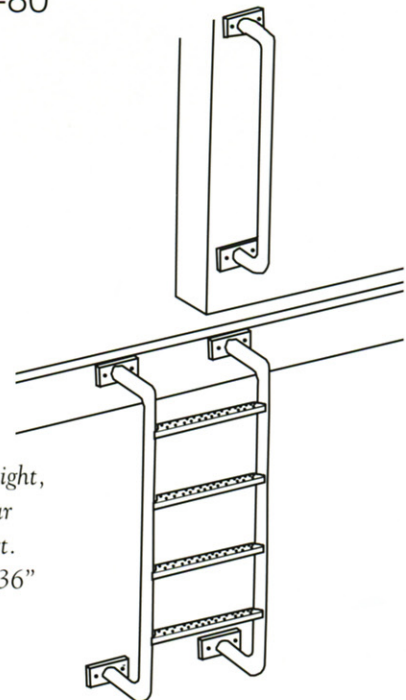
DLM is a total-quality company with an intensive and all-encompassing quality control program. Every aspect of our products – from the raw steel to the finishing coat of paint – is closely-monitored to assure that your every expectation for quality and durability is met.

## THE DL-96



80-1/2" total height  
(36-1/4" above  
dock), 18-1/2" width.  
Four steps, 11" apart.

## THE DL-80



Ladder: 45" height,  
16" width. Four  
steps, 10" apart.  
Grab Handle: 36"  
height.

# DLM

DLM, Inc. • P.O. Box 37 • Highway 270 E. • Malvern, Arkansas 72104 • 501-332-5495 • FAX 501-337-4537  
FOR PURCHASING INFORMATION CALL: 800-643-5423 • FAX 501-337-7750

Due to continued product improvement and changes in industry standards, DLM reserves the right to change specifications without notice or obligation.

© Copyright 2001 DLM, Inc.

DLM products are covered by one or more of these U.S. Patent Numbers:  
4,944,062 • 4,935,979 • 4,827,549 • 5,123,135 • 5,203,663 • 5,195,205 •  
5,214,818 • 5,343,583.