

⚠ DANGER

Make sure that the power source has been locked out and tagged according to OSHA regulations and approved local electrical codes.

⚠ DANGER

Unless the dock leveler is equipped with a tethered remote, two people are required to engage the maintenance prop: one person to operate the unit, the other person to engage the maintenance prop.

In addition, it is recommended and good safety practice to use an additional means to support the dock platform and lip anytime when physically working in front of or under the dock leveler. This additional means may include, but is not limited to a boom truck, fork truck, stabilizing bar or equivalent.

⚠ CAUTION

All electrical work — including the installation of the disconnect panel, control panel, and optional sensors — must be performed by a certified electrician and conform to all local and applicable national codes.

- Ensure the bracket does not interfere with the door track.
 - Make sure there is a flat mounting surface for the reflective tape (N), on the door (A) in front of the sensor. See **Figure 2**.
5. With the bracket (H) mounted, insert the sensor (J) into the bracket with included hardware, as shown in **Figure 2**.
 6. Mount the included reflective tape (N) on the door in front of the door closed sensor.

Note: For accuracy, install the tape after the electrical connections. Then use the sensor's LED's to verify the correct location for the reflective tape. See step 3 on page 2.

Electrical Connections

1. Attach cable (M) to the sensor (J).
2. Secure the sensor cable following all applicable local and national codes. See suggested J-Box placement (E) near the sensor(s). Reference **Figure 1**.

Note: If also installing a door open sensor and or vehicle present sensor, use conduit with a sufficient I.D. to secure the additional sensor cables.

3. Terminate the cable in the iDock controller (C) with the following connections:
 - Brown wire - terminal block #20
 - Blue wire - terminal block #21
 - White wire - not connected.
 - Black wire:
 - Small terminal board - terminal #30
 - Large terminal board - terminal #52

Note: Removal of factory installed yellow jumper wire in the iDock, may be required to install signal wire from door closed sensor.

4. Continue to Testing Operation instructions on **page 2**.

7155-0011 - Door Closed Sensor Installation

The door closed sensor mounts out of harms way, near the top of the door opening. It is typically mounted beneath the door open sensor (if installed.) This retro-reflective sensor uses a target mounted on the door to confirm that the door is fully closed.

Note: Mounting hardware is supplied by others.

7155-0011 Installation Instructions

1. Determine a suitable mounting location for sensor and bracket (F), according to **Figure 1**.
2. Locate the bracket and door sensor on the same side of the door opening as the control box, to ensure sufficient cable length to reach the control box.
3. Hardware to mount the bracket to the wall is supplied by others.
4. Position the bracket so that it is plumb and level and approximately 1" below the door open sensor (if installed.) See **Figure 2**.

Instructions continued on page 2.

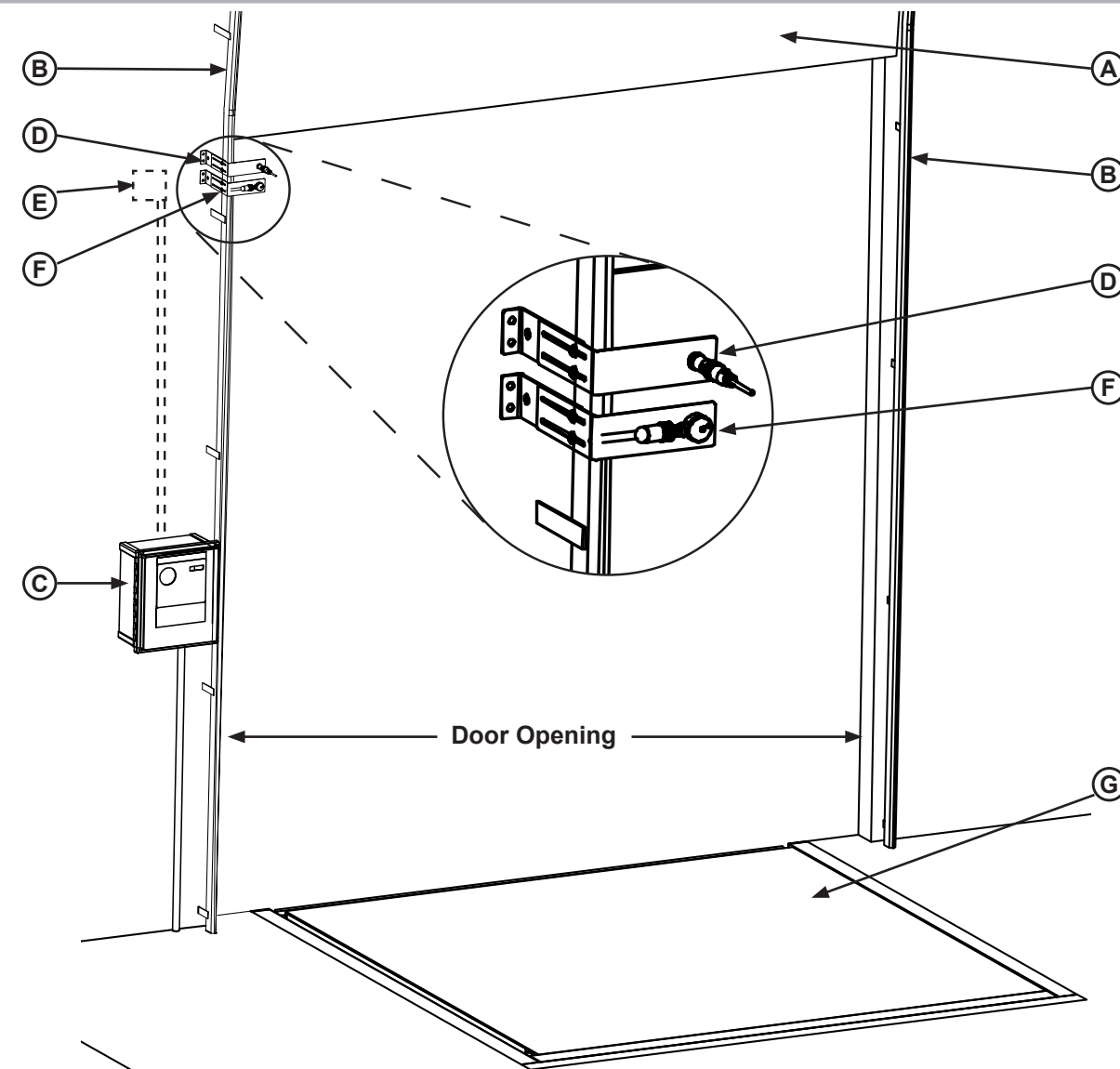


Figure 1

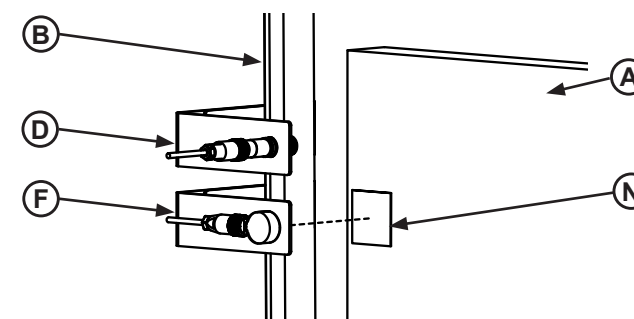


Figure 2

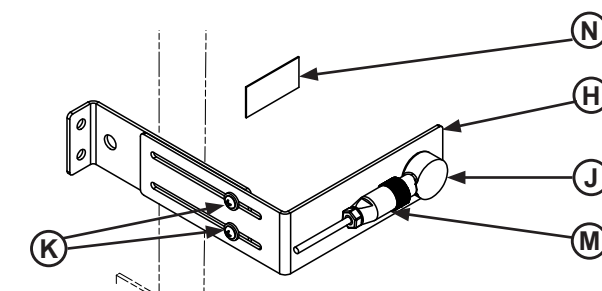


Figure 3

- | | | | |
|------------------------|--------------------------------------|----------------|----------------------|
| A—Overhead Door (Open) | D—Door Open Sensor Kit (7155-0010) | G—Dock Leveler | K—Adjusting Hardware |
| B— Door Track | E—Suggested J-Box Location | H—Bracket | M—Sensor Cable |
| C—iDock Controller | F—Door Closed Sensor Kit (7155-0011) | J—Sensor | N—Reflective Tape |

Door Closed Sensor Installation (Continued)

7155-0011 - Testing Operation

- After the sensor has been mounted and the electrical connections have been made, remove the lock out tag outs and safely energize the equipment.
- With the door in the *Open* position, the terminal board in the iDock controller should display the following:
 - Small Terminal Board: DC Input #4 OFF (Figure 4)
 - Large Terminal Board: DC Input #9 OFF (Figure 5)
- With the door in the *Closed* position, mount the reflective tape in front of sensor (if not already positioned). The terminal board in the iDock controller should display the following:
 - Small Terminal Board: DC Input #4 ON (Figure 4)
 - Large Terminal Board: DC Input #9 ON (Figure 5)
- If the equipment is operating correctly, based on steps 1-3 above, then the installation is complete. If you require further assistance with the installation, contact Systems Technical Services.

Small Terminal Board - Door Closed Sensor Operation

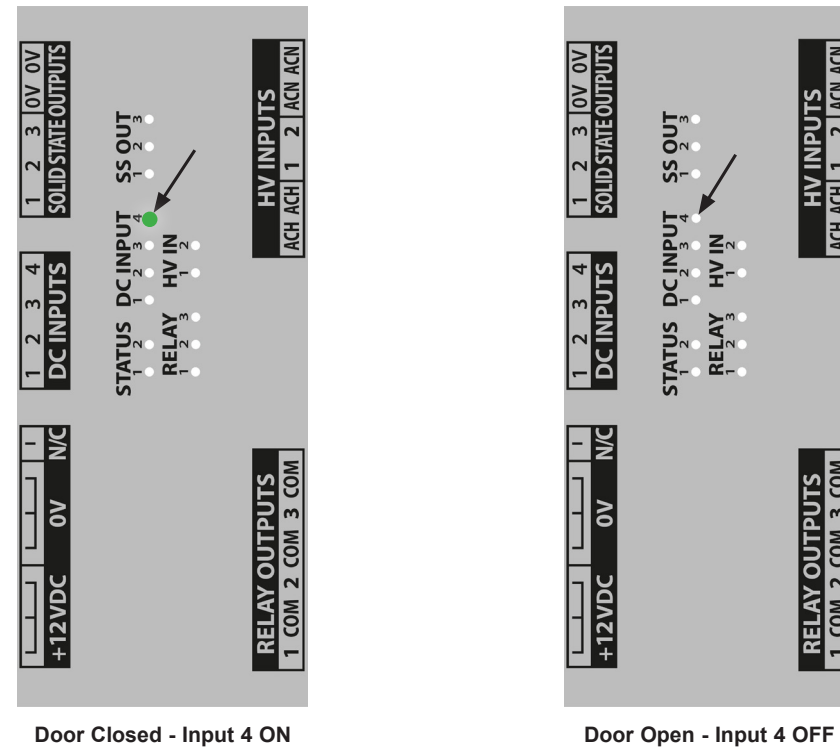


Figure 4

Large Terminal Board - Door Closed Sensor Operation

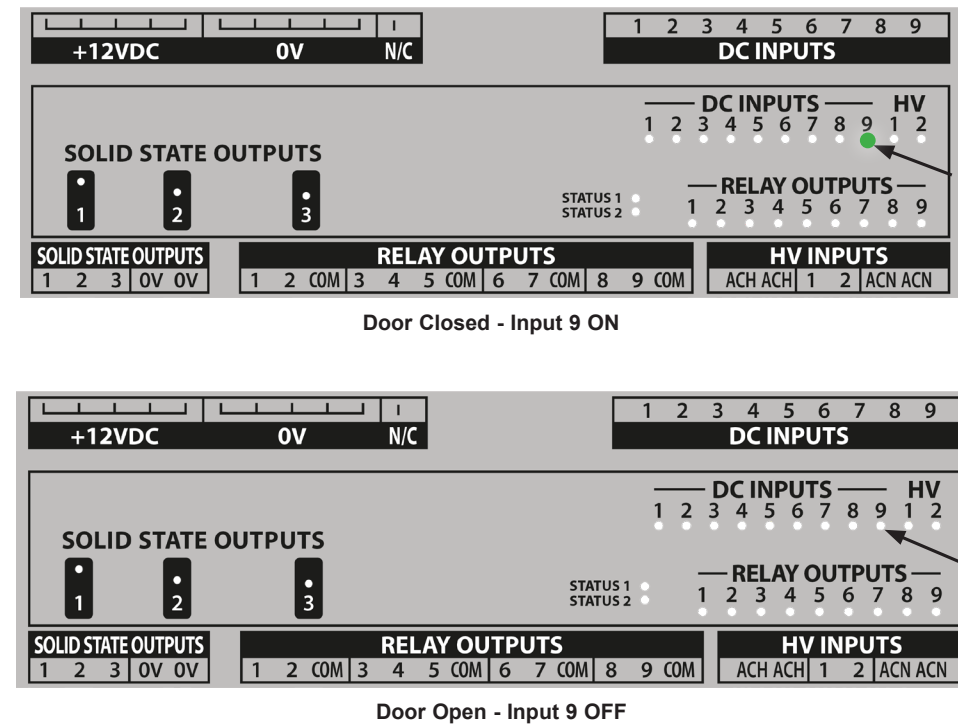
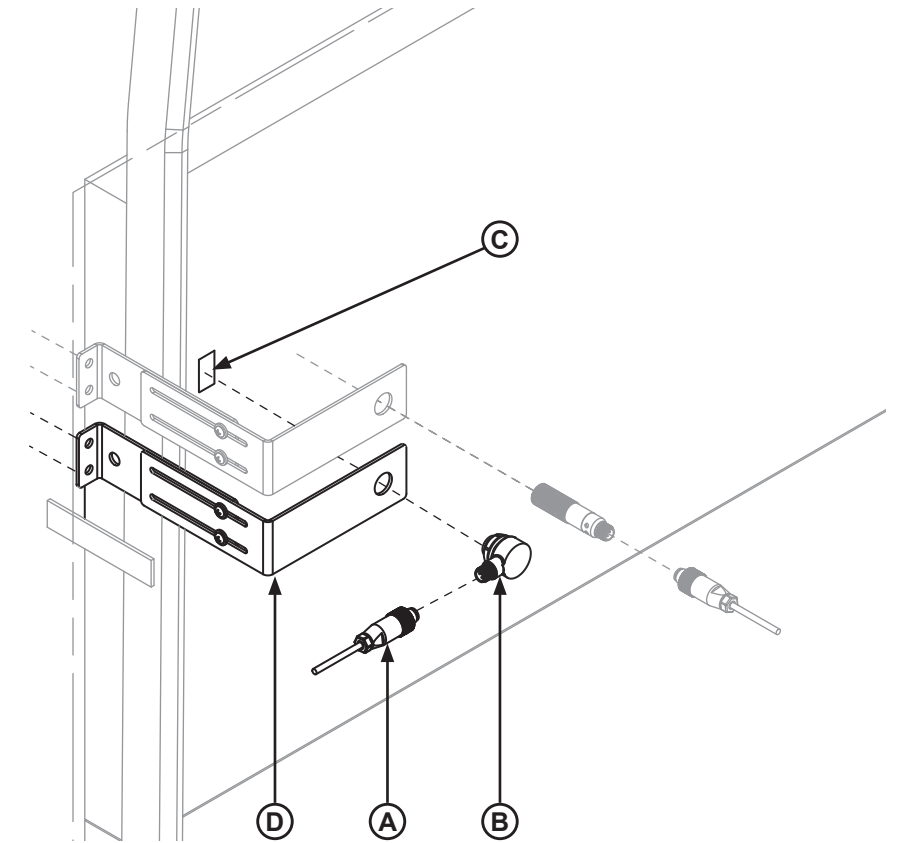


Figure 5



7155-0011 - Door Closed Sensor Kit			
Item	Quantity	Part Number	Description
	1	7155-0011	Kit, Door Close Sensor, 12VDC
A	1	0961-0648	Cable, 5M Long
B	1	0961-0657	Photosensor
C	1	0961-0661	Tape, Retroreflective 2" X 2"
D	2	3053-0011	Door Sensor Bracket Assembly
	1	1026-0005	Installation Instructions iDock Sensor Kits