

# iDock/Logic 5.0 Integration

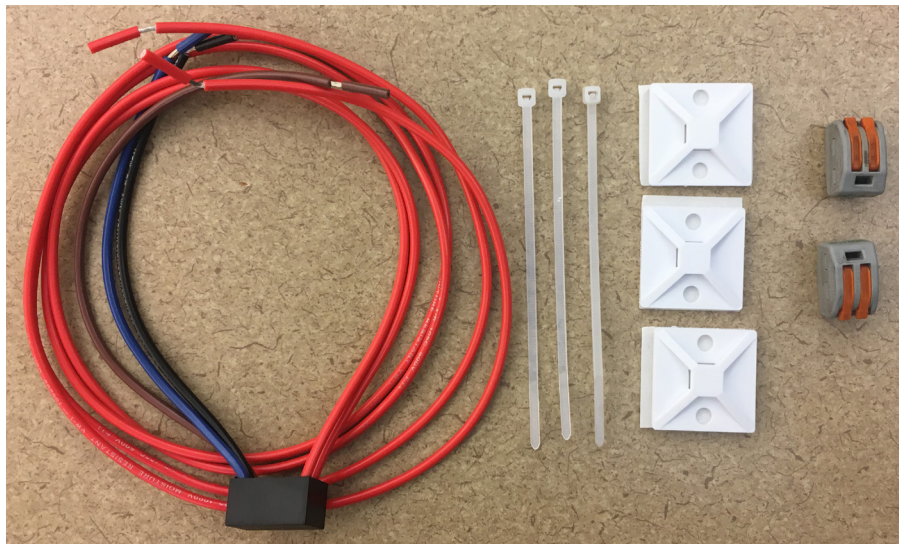
## Retrofit Installation Instructions



Always read and understand the Owner's/User's Manual and become thoroughly familiar with the equipment and its controls before installing or operating equipment. **Failure to read and understand owner's/user's manual may result in voiding of warranty, damage to equipment, death or serious injury!**

In addition to the usual sequence of operation Systems, LLC offers with any operator, the iDock Control System and LiftMaster Logic 5.0 operators are capable of integrating, which allows any faults that may occur with the Logic 5.0 operator to be displayed on the iDock message display. These faults will also be stored with any other dock equipment faults in the controller's Fault History menu, accessible at any time.

This integration requires an extra component to be installed inside the control box, and for the controller to be configured accordingly. For units not originally ordered with this functionality, the component can be purchased as a kit and field installed. **Logic 5.0 Interface Kit 7147-0001 includes the following:**



Material Included in Kit		
Qty	Part Number	Description
1	7141-0364	L5 Interface Module
3	3051-0001	Cable Tie
3	3051-0031	Mounting Base, Cable Tie
2	1431-0290	Lever Nut, 2-Pole

**Note:** The iDock system must be running firmware version 1.4.9 or later to use Logic 5.0 integration. Units with firmware version 1.4.8 or earlier will additionally require an update via SD card to install the latest firmware. The current firmware version can be verified in the Diagnostics sub-menu (Main Menu ► Settings ► Program Access ► Diagnostics ► Controller Info).

**Systems, LLC is not responsible for any time lost if the firmware is not checked and/or a required update SD card is not utilized before attempting to install the Logic 5.0 Interface Retrofit.**

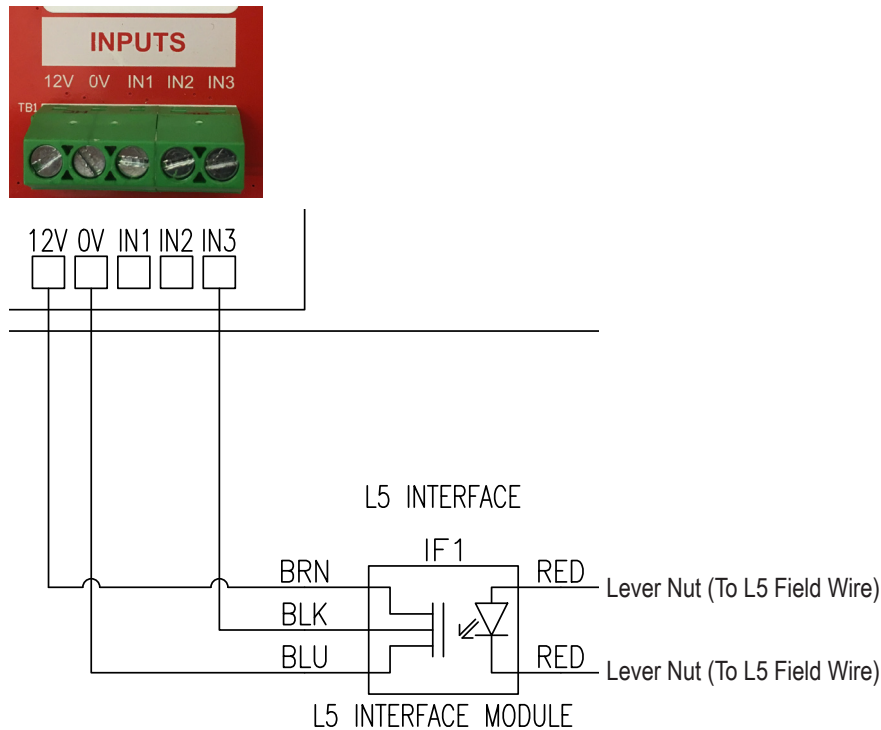
If additional assistance is required, contact Systems, LLC Technical Services.  
**Technical Service at 800-643-5424 or [techservices@loadingdocksystems.com](mailto:techservices@loadingdocksystems.com)**

# iDock/Logic 5.0 Integration

## Retrofit Installation Instructions

### Installation - Units w/o E-Stop and Guide Lights

1. Read and understand the appropriate sections of the PRECAUTIONS section of the equipment Owner's/ User's Manual, and ensure the proper Lock Out/Tag Out procedures are performed during service.
2. Locate the red Main Board Assembly on the back of the control box door. The Logic 5.0 Retrofit will primarily be wired into the five terminals labeled "INPUTS" at the bottom of the board.
3. Wire the L5 Interface Module as shown in the diagram below. Connect the outgoing red wires to the Logic 5.0 MAS field wires from the installed Logic 5.0-capable door operator with included lever nuts.



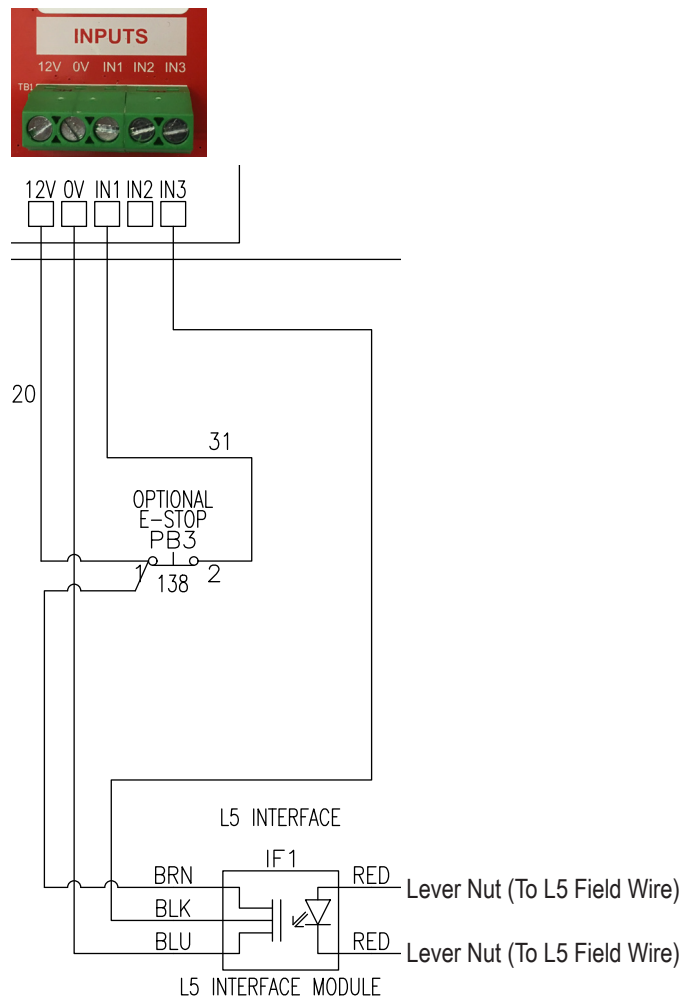
4. When wiring is complete, use the included mounting bases and cable ties to ensure finished wiring is neat and does not interfere with other control box components.
5. Restore power to control box. To test functionality, introduce a simple error by disconnecting a single photo eye or simulating a photo eye obstruction and attempting to operate the overhead door controls. After a brief delay, the iDock Control System should display the appropriate Logic 5.0 MAS code. See iDock Control System Owner's/User's Manual for more information on MAS codes.

# iDock/Logic 5.0 Integration

## Retrofit Installation Instructions

### Installation - Units w/ E-Stop, w/o Guide Lights

1. Read and understand the appropriate sections of the PRECAUTIONS section of the equipment Owner's/ User's Manual, and ensure the proper Lock Out/Tag Out procedures are performed during service.
2. Locate the red Main Board Assembly and the terminal block for the E-Stop button on the back of the control box door. The Logic 5.0 Retrofit will be wired into each of these components.
3. Wire the L5 Interface Module as shown in the diagram below. Connect the outgoing red wires to the Logic 5.0 MAS field wires from the installed Logic 5.0-capable door operator with included lever nuts.



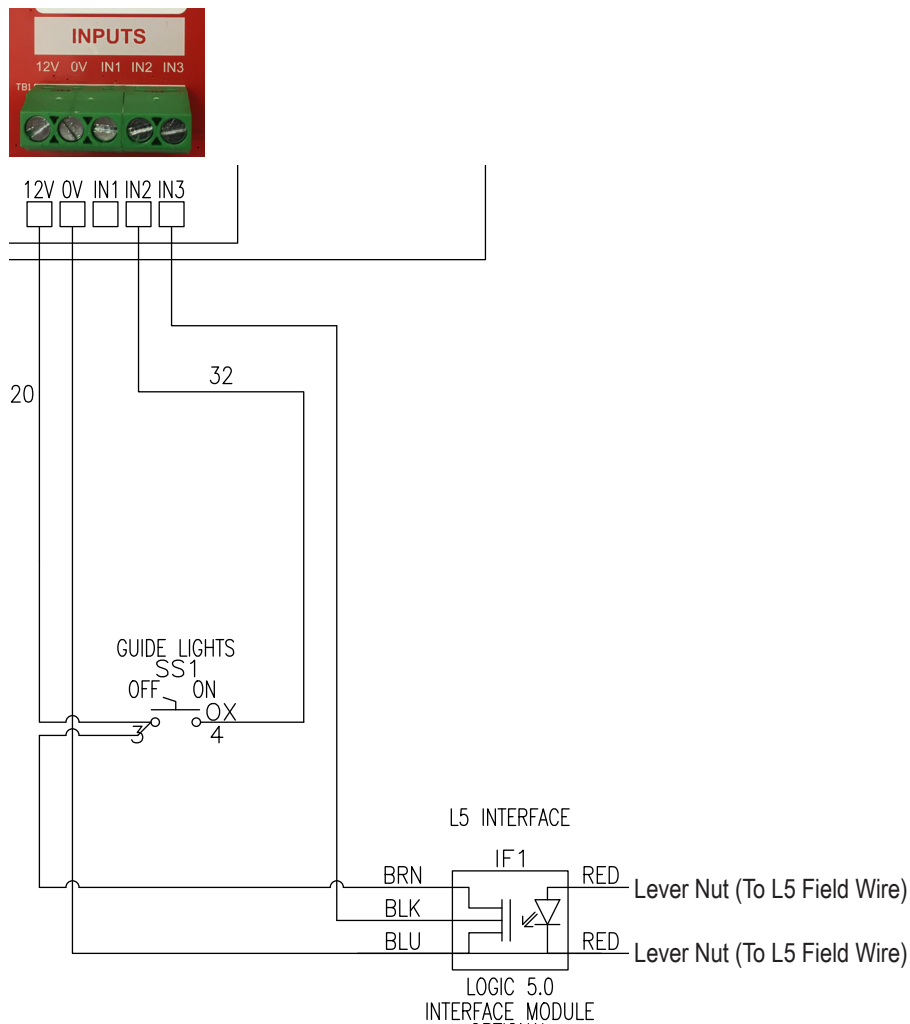
4. When wiring is complete, use the included mounting bases and cable ties to ensure finished wiring is neat and does not interfere with other control box components.
5. Restore power to control box. To test functionality, introduce a simple error by disconnecting a single photo eye or simulating a photo eye obstruction and attempting to operate the overhead door controls. After a brief delay, the iDock Control System should display the appropriate Logic 5.0 MAS code. See iDock Control System Owner's/User's Manual for more information on MAS codes.

# iDock/Logic 5.0 Integration

## Retrofit Installation Instructions

### Installation - Units w/ Guide Lights, w/o E-Stop

1. Read and understand the appropriate sections of the PRECAUTIONS section of the equipment Owner's/ User's Manual, and ensure the proper Lock Out/Tag Out procedures are performed during service.
2. Locate the red Main Board Assembly and the terminal block for the Guide Lights switch on the back of the control box door. The Logic 5.0 Retrofit will be wired into each of these components.
3. Wire the L5 Interface Module as shown in the diagram below. Connect the outgoing red wires to the Logic 5.0 MAS field wires from the installed Logic 5.0-capable door operator with included lever nuts.



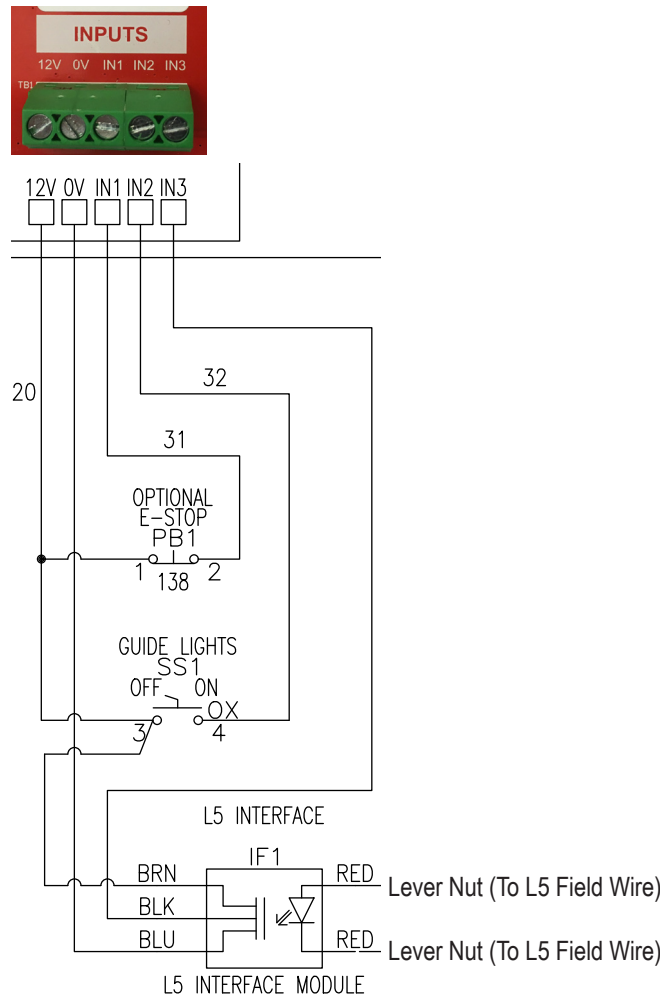
4. When wiring is complete, use the included mounting bases and cable ties to ensure finished wiring is neat and does not interfere with other control box components.
5. Restore power to control box. To test functionality, introduce a simple error by disconnecting a single photo eye or simulating a photo eye obstruction and attempting to operate the overhead door controls. After a brief delay, the iDock Control System should display the appropriate Logic 5.0 MAS code. See iDock Control System Owner's/User's Manual for more information on MAS codes.

# iDock/Logic 5.0 Integration

## Retrofit Installation Instructions

### Installation - Units w/ E-Stop and Guide Lights

1. Read and understand the appropriate sections of the PRECAUTIONS section of the equipment Owner's/ User's Manual, and ensure the proper Lock Out/Tag Out procedures are performed during service.
2. Locate the red Main Board Assembly and the terminal blocks for the E-Stop button and Guide Light switch on the back of the control box door. The Logic 5.0 Retrofit will be wired into each of these components.
3. Wire the L5 Interface Module as shown in the diagram below. Connect the outgoing red wires to the Logic 5.0 MAS field wires from the installed Logic 5.0-capable door operator with included lever nuts.



4. When wiring is complete, use the included mounting bases and cable ties to ensure finished wiring is neat and does not interfere with other control box components.
5. Restore power to control box. To test functionality, introduce a simple error by disconnecting a single photo eye or simulating a photo eye obstruction and attempting to operate the overhead door controls. After a brief delay, the iDock Control System should display the appropriate Logic 5.0 MAS code. See iDock Control System Owner's/User's Manual for more information on MAS codes.